

KWC 
Kitchen



Beauty across the entire range

KWC AVA turns the daily interaction with water into an experience of sparkling pleasure. The combination of cylinder and cube forms a single harmonious unit that makes many things possible – and all things a little easier.



A clean sweep

The modern kitchen sets high standards for functionality and hygiene, and the shapely KWC AVA soap dispenser meets both criteria. Whether soap for your hands or washing-up liquid for the dishes: press just once and cleanliness is restored.



Using your head

Beautiful design, intelligent contents: simply touch the button on the spray head to switch from a Neoperl jet to a fine needle spray.



Long haul

The pull-out aerator sits comfortably in your hand and offers complete manoeuvrability at all times. Its ability to be extended up to 70 cm can be a decisive advantage in the kitchen.



Full lever action

The eye-catching feature of this faucet is its extremely flat lever, which is based on an innovative lever principle with an invisible lifting mechanism. It moves and lifts simultaneously on opening – thus providing a completely new feel to its operation.



Lever mixer
swivel spout 270°

10.191.023.000 all chrome
A 210



Lever mixer
pull-out spray with KWC JETCLEAN
hose guide, swivelling 130°

10.191.033.000 all chrome
A 210



Lever mixer
pull-out aerator
hose guide, swivelling 130°

10.191.113.000 all chrome
A 210



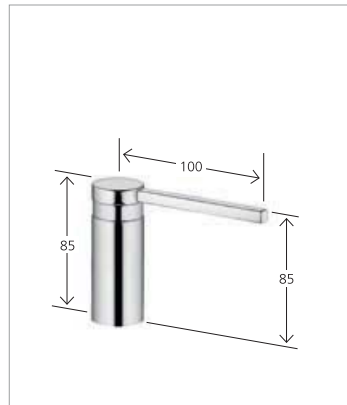
Lever mixer
lever installation possible on the right
or left side
pull-out spray with KWC JETCLEAN
hose guide, swivelling 360°

10.191.003.000 all chrome
A 205



Lever mixer
lever installation possible on the right
or left side
pull-out aerator
hose guide, swivelling 360°

10.191.103.000 all chrome
A 205



Soap dispenser

Z.536.159.000 all chrome

Subject to technical,
range and model changes.
Dimensions in mm.



Descaling made easy thanks to the special key for the
Neoperl® Caché® (supplied as standard).



A bird's eye view

KWC AVA can be turned, rotated, swivelled up to 270° and viewed from above and below. One thing, however, remains constant: the concept of a faucet that points the way into the future because it has learnt from the demands of the present.

