

KWC ONO

Electronic



New Technologies

KWC ONO is a masterpiece of contemporary design. The aesthetics of the clear form define the image of a faucet which presents technical refinement with discrete elegance. The best examples of this are the three new electronic faucets, which make a striking impression through innovative technologies.



lightpin

Colorflow – real-time temperature in colour

KWC ONO lightpin turns water into a visual event. The whole spectrum, from cold to hot – transformed into flowing colours in real time.

Colorflow is based on LED technology and reflects the water temperature precisely and continuously. The real-time temperature display offers a unique experience for the operator and forms a striking backdrop for the lever. The lightpin switches on when it is touched and switches off automatically after 60 seconds or if the water temperature falls below 38°C. If the water temperature exceeds 45°C, the lightpin starts to flash red. Easy to clean thanks to fewer soiled edges.

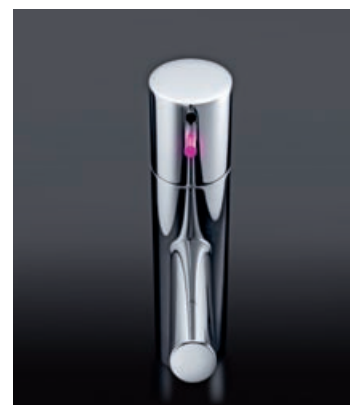


reddot design award
winner 2008

DESIGN PLUS

COLORFLOW

Real-time temperature in colour



touch light



reddot design award
winner 2008



DESIGNPREIS
2009
NOMINEE

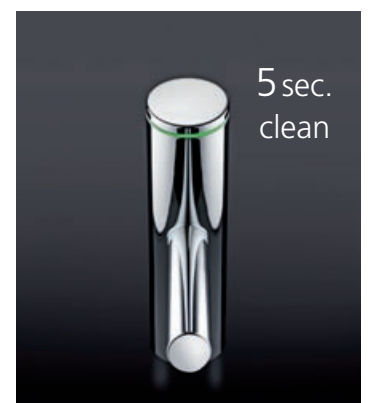
Touch control – three levels, three colours

KWC ONO touch light draws applause from a wide-ranging audience. Just touch – and the well-tempered water takes its course.

Touch control regulates the water temperature hygienically and with minimum required contact thanks to DDSA® sensor technology. Just a brief touch is enough: once for cold (blue), twice for warm (orange) and three times for hot (red) – and to clean (green), press for five seconds. The water runs for 10 seconds (factory setting), the cleaning mode switches off automatically and a visual representation of the water temperature is provided by LED technology.

TIPCONTROL

Three levels, three colours



touchless

Puretec – contact-free water

KWC ONO touchless exudes mystery. The water starts to flow without the faucet being touched – controlled by invisible forces.

Puretec technology is contact-free and easy to use. The radiation-free DDSA® sensor technology sets the water flowing as soon as your hand is within 5-7 cm of the faucet. The water temperature is preset and the water runs for 10 seconds (factory setting). The cleaning mode can be activated as required.

PURETEC

Contact-free water





lightpin

COLORFLOW

Real-time temperature in colour

Basin with LED-technology

Lever mixer*
fixed spout

with pop-up:
12.151.342.000 A 125
without pop-up:
12.151.332.000 A 125

Scope of delivery

mains receiver 100-240V operating
voltage 6.75 V, cable length 800 mm

Finish chrome



touch light

TIPCONTROL

Three levels, three colours

Basin with LED-technology

Automatic*
fixed spout
water flow not adjustable

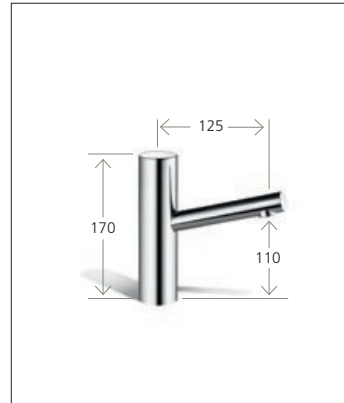
Scope of delivery

with pop-up:
– battery 1.5V: 12.151.432.000 A 125
– mains receiver 100-240V, cable length
1100 mm: 12.151.442.000 A 125
– power supply for concealed installation
100-240V, cable length
1100 mm: 12.151.452.000 A 125

without pop-up:

– battery 1.5V: 12.151.402.000 A 125
– mains receiver 100-240V, cable length
1100 mm: 12.151.412.000 A 125
– power supply for concealed installation
100-240V, cable length
1100 mm: 12.151.422.000 A 125

Finish chrome



touchless

PURETEC

Contact-free water

Basin touchless

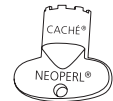
Automatic*
fixed spout
water flow not adjustable

**The faucet can be fitted onto
ceramic, plastic or glass (other
materials on request).**

Scope of delivery

without pop-up:
– battery 1.5V: 12.151.462.000 A 125
– mains receiver 100-240V, cable length
1100 mm: 12.151.472.000 A 125
– power supply for concealed installation
100-240V, cable length
1100 mm: 12.151.482.000 A 125

Finish chrome



*Descaling made easy
thanks to the special key
for the Neoperl® Cache®
(supplied as standard)

Subject to alterations in
the range, models and
technical specifications.
Dimensions in mm.

